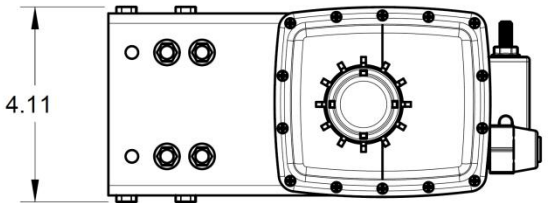


Automatic Security Valve – Clamp On Actuator

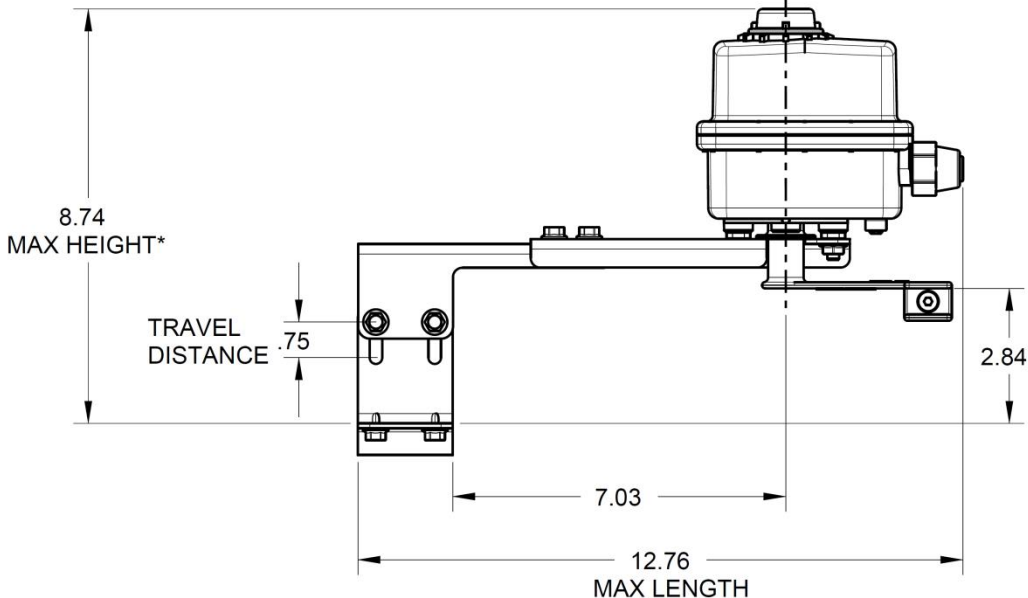
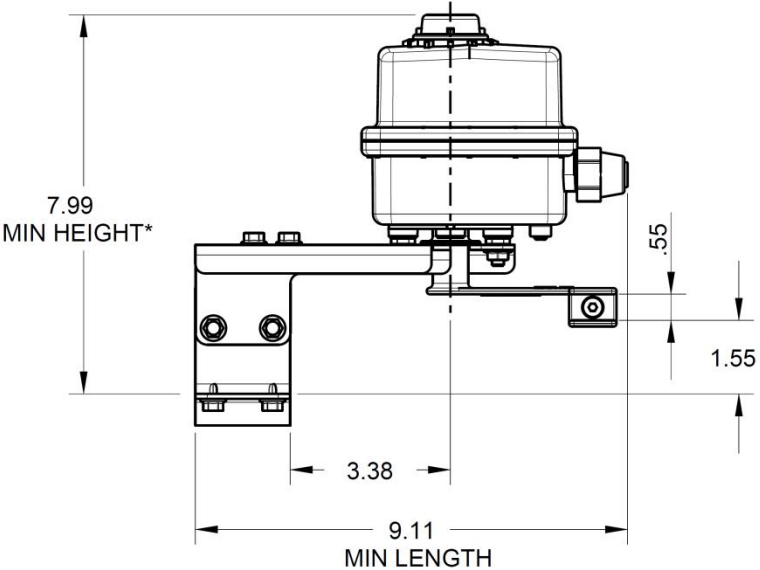
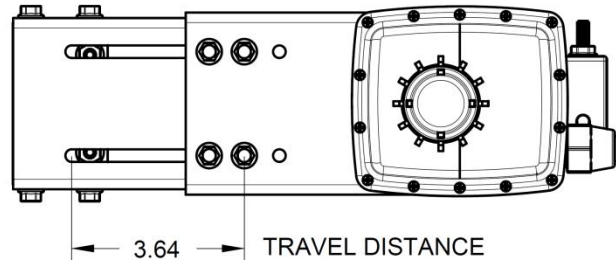
Spec Sheet

Normal Mounting

MINIMUM HEIGHT AND LENGTH



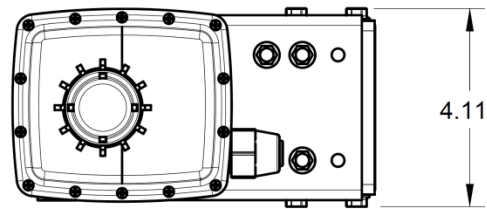
MAXIMUM HEIGHT AND LENGTH



*MEASURED FROM CENTER OF PIPE

Automatic Security Valve – Clamp On Actuator Spec Sheet Under Mounting

MINIMUM HEIGHT AND LENGTH



MAXIMUM HEIGHT AND LENGTH

